

KOMATSU[®]

S82

Forestry Quality™

S82

HEAD



The direct route to productivity

Nimble and light yet compact and strong – and with unbeatably high capacity. This is the combination that characterises the two-wheel drive Komatsu S82 head. This is what makes it highly effective for thinning dense, challenging stands.

One of the reasons behind the high productivity is the two-wheel feed that allows the stems to turn in the head, even those that are forked or very crooked.

Another function that contributes to the high productivity is Flex Friction Control, which senses the stem's position relative to the frame and adjusts the knives' contact pressure against the stem accordingly. The Komatsu S82 is equipped with a

Constant Cut saw unit. This saw unit limits the chain speed to a maximum of 40m/s, which guarantees a high cutting speed without compromising safety. Naturally, the Komatsu S82 can be equipped with Multi Tree Handling Function, which further enhances its production capacity.

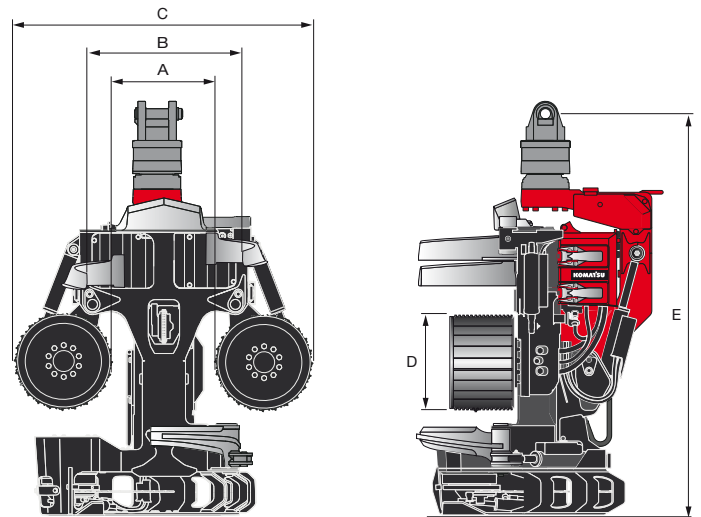
Smart hose routing, a well-protected head computer and easy servicing are other factors that help minimise unscheduled downtime and increase productivity.

The result is a head with a fast feed, rapid cutting, high reliability and reduced maintenance. Quite simply, an extremely productive head.

TECHNICAL DATA

Komatsu S82, highlights

- Two-wheel feed helps feed crooked stems
- Easy service and maintenance with optimal access to all essential components
- Smart hose routing minimises downtime
- Sturdy construction, high-strength steel frame
- Flex Friction Control senses the stem's position relative to the frame and adjusts the knives' contact pressure against the stem accordingly
- Option of equipping the head with either manual or automatic chain tensioning
- Constant Cut saw unit for the right cutting speed throughout the entire cutting cycle
- Choice of feed rollers for maximum adaptability
- Optional extra measuring point for increased measurement accuracy
- Optional Multi Tree Handling Function to further enhance production capacity



Weight (dry weight):	from 827 kg
Feed rate:	0–5 m/s
Feed force, gross:	20.3 kN
Feed roller type:	Steel
Delimiting knives, max. number:	4
Delimiting diameter, tip-to-tip:	350 mm
Saw bar:	67 cm
Saw motor:	19 cm ³ /rev.
Felling diameter, theoretical max.:	580 mm
Max. hydraulic flow:	240 l/min
Requisite max. hydraulic pressure:	28 MPa

A Feed roller opening, max.	460 mm
B Forward knives opening, max.	517 mm
C Width, max.	1,185 mm
D Feed roller diameter	350 mm
E Height including rotator	1,496 mm

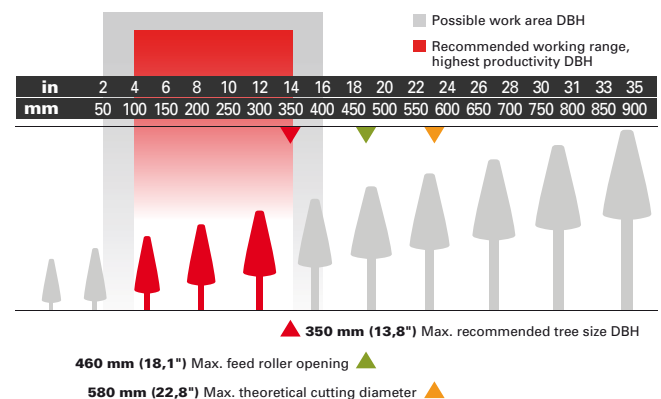
OPTIONAL EQUIPMENT

Standard and extra equipment are market-dependent and vary between countries. Your sales representative has an up-to-date list of what is included.

Technical data/dimensions vary depending on optional equipment selected. Specifications and designs are subject to alteration without prior notice. Photos, diagrams and figures do not always show the standard configuration.



ZONE OF APPLICATION



KOMATSU

Komatsu Forest AB
www.komatsuforest.com